



MOUVEMENT

Precise Easy Affordable.

Shooting with a robot
is easier than you think.

Contact Us

Email
info@equip.tokyo

Phone
+81 (0)3-5774-6530

Bolt Jr.

Specifications

Operating Envelope 01

Maximum Height (from ground) 2.5m
 Lowest Position 0m
 Maximum Length of Track 5.6m
 Maximum Reach (from rotate center) 1.2m

Power Connection 02

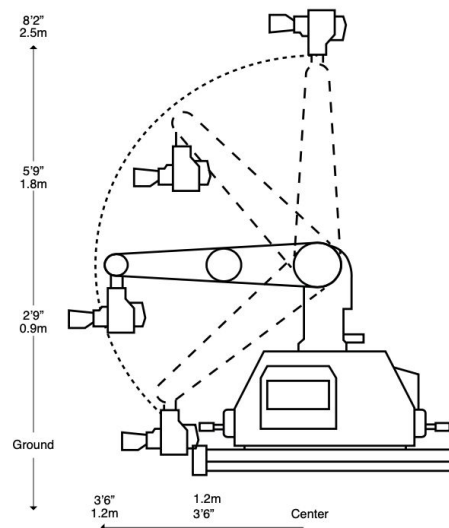
Power Requirements 3x 200-400 volt, 16amps
 Generator 2k VA (Bolt Jr) 10k VA (Bolt Jr on track)
 Arm: 6amps
 Track: 10amps

Rig Performance 03

Track	Unlimited range of travel	@ 3 m/s
Rotate	±180° range of travel	@ 400°/s
Lift	±147.5°-130° range of travel	@ 390°/s
Arm	±145° range of travel	@ 400°/s
Pan	±270° range of travel	@ 540°/s
Tilt	±140°/-1115° range of travel	@ 475°/s
Roll	±270° range of travel	@ 760°/s

Rig Weights 04

Bolt Jr + Base 114 + 180 (294kg)
 Maximum camera payload 10kg
 (Note: counter weights may be required depending on the shot and length of track)



Installation Time 1h without track/ 2h with track

Without the track the robot sits on a base that can easily be repositioned several times during the shoot. Moving on and off of the track is possible during the shoot.

Frequently Asked Questions

Can I program my own moves? **01**

Yes. You can prepare your movement on your 3D software and share the data with us or we remote control on site.

What are the power requirements? **02**

The robot rarely draws over 10 amps.

Are any special power supplies necessary? **03**

No. The robot can get power directly from a typical wall plug power source. It can be easily powered anywhere, without special attachments or requiring high power through power breakers.

Can I use the robot without tracks? **04**

Yes. We have a pedestal system along with a set of weights that will ensure the robot is firmly set on the ground.

Is the robot easy to transport? **05**

Yes. The robot has been adjusted for Japanese standards, the profile can be lowered accordingly for transportation purposes thanks to our custom-designed wheel system. The robot width and length are 85 cm x 1150 cm allowing it possible to pass most doorways. When used with the track the robot can be transported with a standard 2T truck.

How to Order

1. Contact Us

Tell us your shoot date and a brief description of what you need. We will get back to you with our availability.

2. Info/ Location Hunting

We receive your info about the shoot and tell you what is possible, how to plan, and how to adapt. We can visit the shoot location to check the environment and prepare the shooting plan with your team.

3. Test + PreShoot

We do test shooting at our location or we come to the set on prep day and install the robot and prepare all the settings at that time. We work with you to establish the movement you need.

4. Shooting

On the day of the shoot we will follow your plan and make your vision come true.



Starting Price

Package

700,000 JPY for 2 days (Test + Shoot)

Includes

Robot equipment and control system
1 Operator and 1 Assistant
Transportation in/out
1 day for shoot
1 day test on side of shoot or at office

Additional Options

Event Package 900,000 JPY + base price

1 Computer
1 Video Encoding License
1 Online Cloud Server
1 Programmer
1 Video Camera + Lens
1 Director

Further Add-ons (per day)

Assistants	60,000 JPY
Additional Rehearsal	200,000 JPY
Additional Shoot Day	400,000 JPY
3D Integration	Call for inquiry
Studio Booking for Rehearsal	From 300,000 JPY
Camera + Lens + Accessories	150,000 JPY

Contact

Email:

info@equip.tokyo

Tel:

03.5774.6530